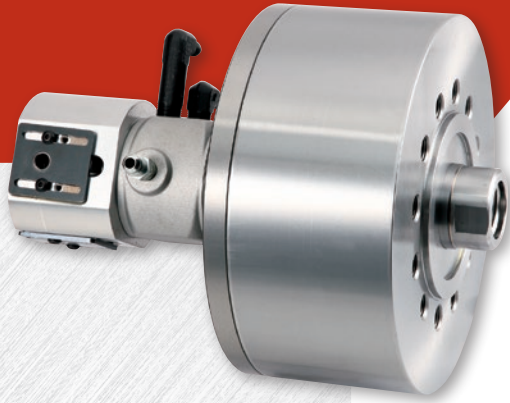
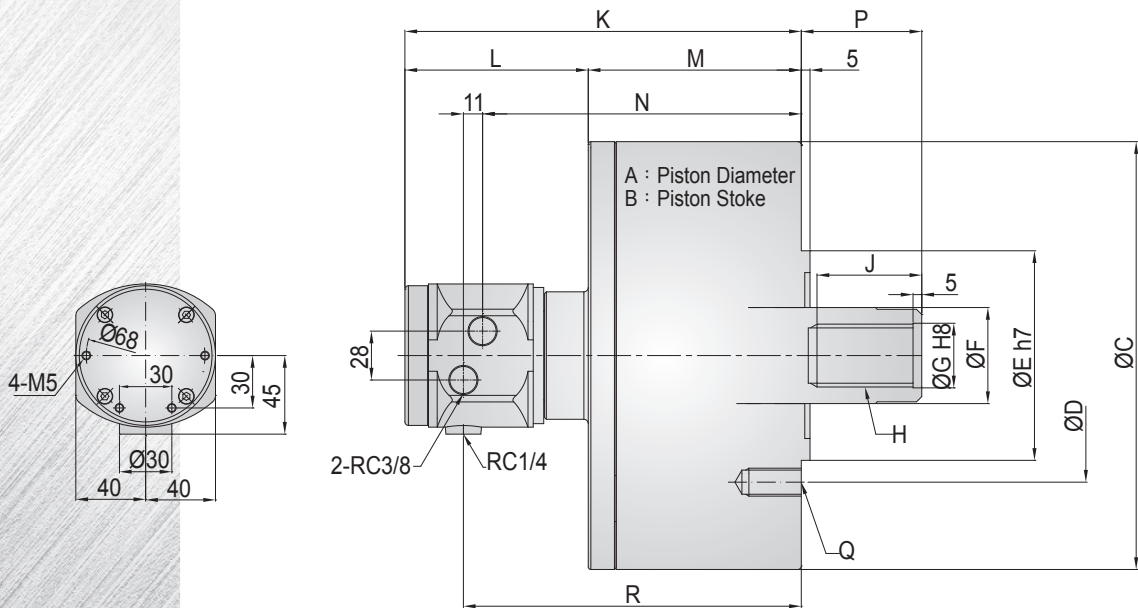


# TBseries

## CLOSED CENTER HYDRAULIC CYLINDER (BUILT-IN CHECK VALVE)



- Built-in check valve.



### SPECIFICATION

Model	Piston Area		Max. Push Force (kgf)	Max. Hydr. Pressure (kgf/cm <sup>2</sup> )	Oil Leakage Rate (l/min)	Max. Speed (r.p.m.)	Weight (kg)	Moment Of Inertia (kg.m <sup>2</sup> )
	Push Side (cm <sup>2</sup> )	Pull Side (cm <sup>2</sup> )						
TB10520	87	80	2960	41	0.8	6,000	8	0.013
TB12525	123	114	4285	41	0.8	6,000	11	0.023
TB15030	177	161	6120	41	0.8	5,500	14	0.048
TB20035	315	291	11015	41	0.8	5,500	36.5	0.122

• Push Force : Hydr. Pressure 41kgf/cm<sup>2</sup>

• Oil Leakage Rate : Hydr. Pressure 30.6kgf/cm<sup>2</sup> and 50°C

### DIMENSIONS

Model	A Piston Diameter	B Piston Stroke	C	D	E (h7)	F	G (H8)	H	J	K	L	M	N	P (max)	P (min)	Q	R
TB10520	105	20	135	100	80	30	21	M20x2.5	35	197	105	89	152.5	45	25	M10x1.5	162.5
TB12525	125	25	160	130	110	35	25	M24x3.0	44	205	105	99	159.5	51	26	M12x1.75	170.5
TB15030	150	30	190	130	110	45	31	M30x3.5	45	214	105	109	169.5	56	26	M12x1.75	180.5
TB20035	200	35	245	145	120	55	37	M36x4.0	60	228	105	122	182.5	69	34	M16x2	193.5

• If the dimension and specification change, please take the confirmation drawing as a standard.