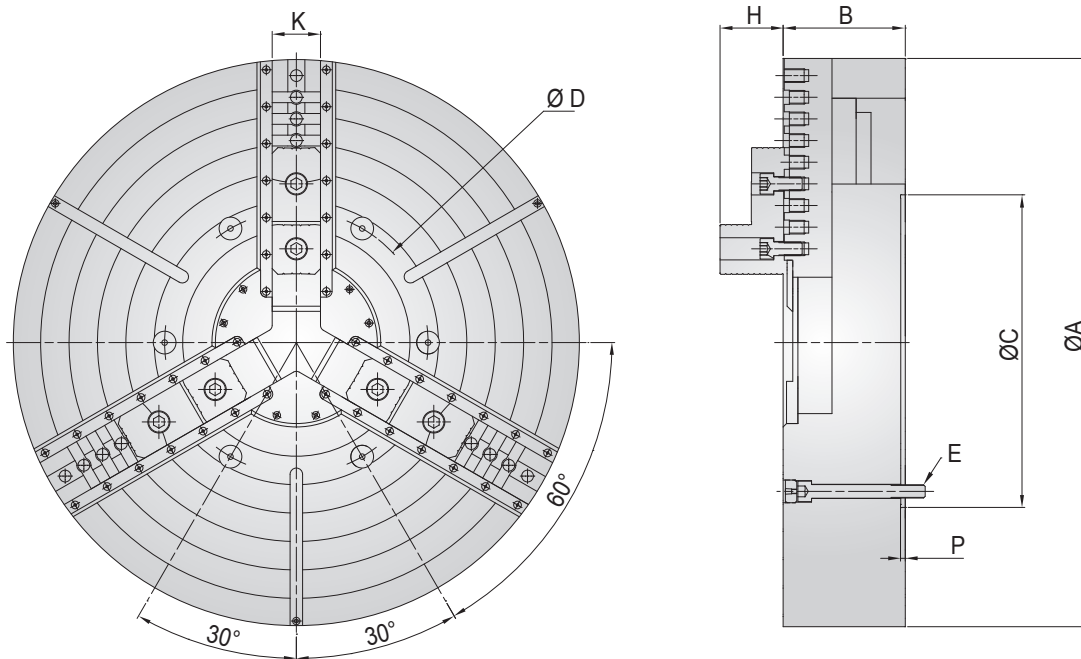


# G series

## INDEPENDENT CHUCKS

- Cast iron or forged steel body.
- Install side strips and chips cover sealed base jaw to prevent chips and coolant ingress.
- High accuracy of repeated positioning.
- Special specifications can be customized.



Model	A	B	C (H6)	D	E	H	K	P	Max. Gripping Force (kgf)	Gripping Range (Ømm)		Gripping Range [Inside] (Ømm)		Max. Speed (r.p.m.)	Weight (kg)
										(min)	(max)	(min)	(max)		
G320Z440	500	140	440	465	6-M16	78	62	6	7300	160	475	270	490	950	195
G324Z545	630	167	545	586	6-M20	78	62	6	7500	160	530	275	490	800	380
G328Z620	700	190	620	660	6-M20	80	85	8	7500	205	585	340	545	600	560
G332Z380	800	190	380	330.2	6-M24	80	74	8	7500	220	685	375	660	560	615
G336Z380	915	200	380	330.2	6-M24	80	74	8	8000	220	840	355	810	480	843
G340Z520	1000	215	520	463.6	6-M24	92	85	8	8000	220	905	595	875	400	1010
G350Z520	1250	220	520	463.6	6-M24	92	85	8	8500	290	1080	350	1100	360	1550

• If the dimension and specification change, please take the confirmation drawing as a standard.