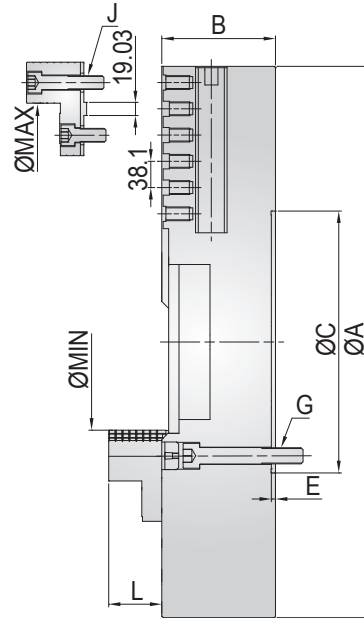
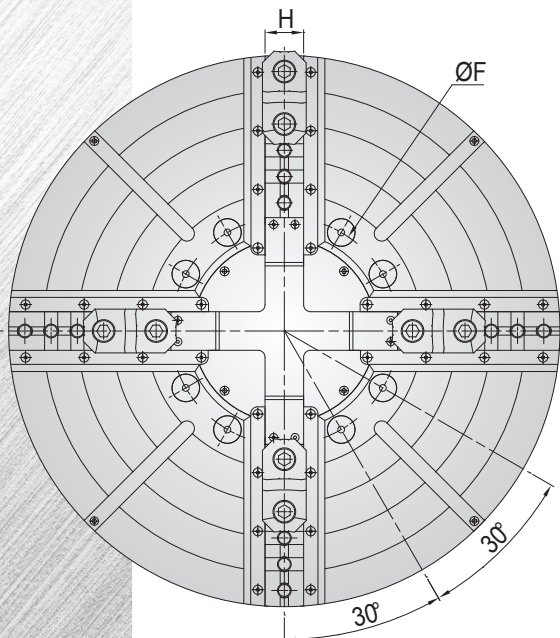


# J series

## CLOSED CENTER INDEPENDENT CHUCKS



- Forged steel body.
- Adapter Plates can be selected.
- Install side strips and chips cover sealed base jaw to prevent chips and coolant ingress.
- The jaw can be individually operated, and irregularly shaped workpieces can be clamped.
- Special specifications can be customized.



Model	A	B	C (H6)	E	F	G	H	L	J	Gripping Range(Ømm)		Max. Speed (r.p.m.)	Max. Gripping Force (kgf)	Adaptor
										(min)	(max)			
J421Z380	530	146	380	8	330.2	8-M24	56	77	M20	125	430	1300	11500	PM1A15
J421Z380	530	146	380	8	330.2	8-M24	56	77	M20	125	430	1300	11500	PM2A11
J424Z380	610	155	380	8	330.2	8-M24	56	77	M20	168	480	900	13500	PM1A15
J424Z380	610	155	380	8	330.2	8-M24	56	77	M20	168	480	900	13500	PM2A11
J432Z380	800	165	380	8	330.2	8-M24	56	77	M20	231	695	750	17500	PM1A15
J432Z380	800	165	380	8	330.2	8-M24	56	77	M20	231	695	750	17500	PM2A11
J440Z520	1000	180	520	8	463.6	8-M24	80	80	M24	288	880	550	17500	PM1A20
J440Z520	1000	180	520	8	463.6	8-M24	80	80	M24	288	880	550	17500	PM2A15
J450Z520	1250	200	520	8	463.6	8-M24	80	100	M24	288	1128	420	21500	PM1A20
J450Z520	1250	200	520	8	463.6	8-M24	80	100	M24	288	1128	420	21500	PM2A15
J463Z720	1600	200	720	8	647.6	8-M30	80	100	M24	420	1480	380	26500	PM1A20

• If the dimension and specification change, please take the confirmation drawing as a standard.