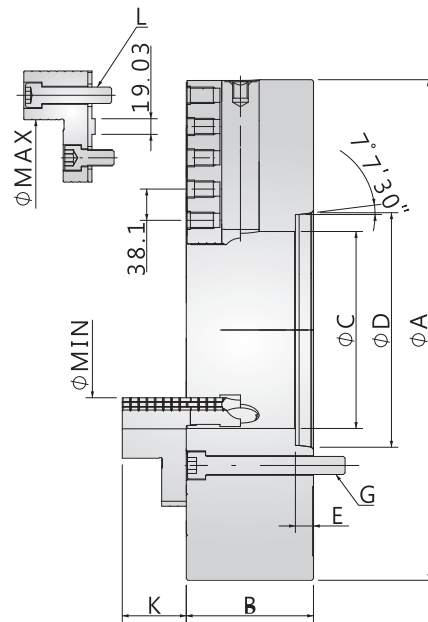
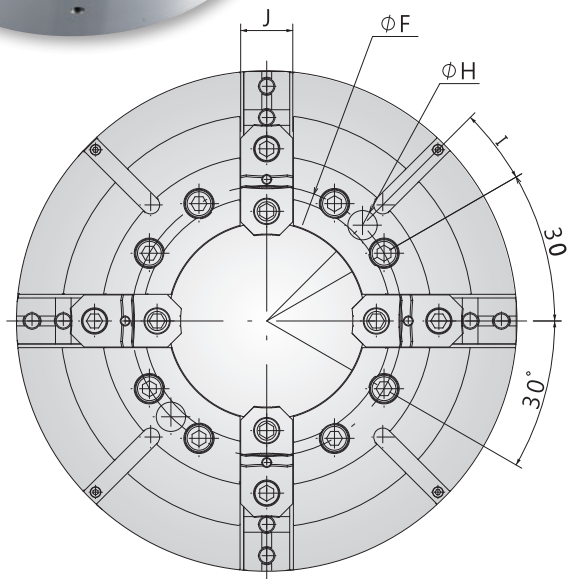


L series

INDEPENDENT CHUCKS



- Forged steel body.
- Adapter Plates can be selected.
- The jaw can be individually operated, and irregularly shaped workpieces can be clamped.
- Special specifications can be customized.



Model	A	B	C	D	E	F	G	H	I	J	K	L	Max. Speed (r.p.m.)	Max. Gripping Force (kgf)	Spindle Noses
L421U11	530	135	120	196.869	23	235	8-M20	29.4	30	56	89	M20	1300	12500	A2-11
L421U15	530	135	200	285.775	24	330.2	8-M24	35.7	15	56	89	M20	1300	12500	A2-15
L424U11	610	135	120	196.869	23	235	8-M20	29.4	30	56	89	M20	900	15000	A2-11
L424U15	610	135	235	285.775	24	330.2	8-M24	35.7	15	56	89	M20	900	15000	A2-15
L424U20	610	135	310	412.775	25	463.6	8-M24	42.1	15	56	89	M20	900	15000	A2-20
L428U11	700	140	120	196.869	23	235	8-M20	29.4	30	56	89	M20	870	15000	A2-11
L428U15	700	140	235	285.775	24	330.2	8-M24	35.7	15	56	89	M20	870	15000	A2-15
L428U20	700	140	385	412.775	25	463.6	8-M24	42.1	15	56	89	M20	870	15000	A2-20
L432U11	800	145	120	196.869	23	235	8-M20	29.4	30	56/75	89/92	M20/M24	650	19000	A2-11
L432U15	800	145	235	285.775	24	330.2	8-M24	35.7	15	56/75	89/92	M20/M24	650	19000	A2-15
L432U20	800	145	385	412.775	25	463.6	8-M24	42.1	15	56/75	89/92	M20/M24	650	19000	A2-20
L440U15	1000	150	235	285.775	24	330.2	8-M24	35.7	15	56/75	89/92	M20/M24	550	19000	A2-15
L440U20	1000	150	385	412.775	25	463.6	8-M24	42.1	15	56/75	89/92	M20/M24	550	19000	A2-20
L450U15	1250	190	235	285.775	24	330.2	8-M24	35.7	15	80	122	M24	420	23000	A2-15
L450U20	1250	190	385	412.775	25	463.6	8-M24	42.1	15	80	122	M24	420	23000	A2-20
L463U20	1600	210	385	412.775	25	463.6	8-M24	42.1	15	90	117	M24	380	28000	A2-20

• If the dimension and specification change, please take the confirmation drawing as a standard.