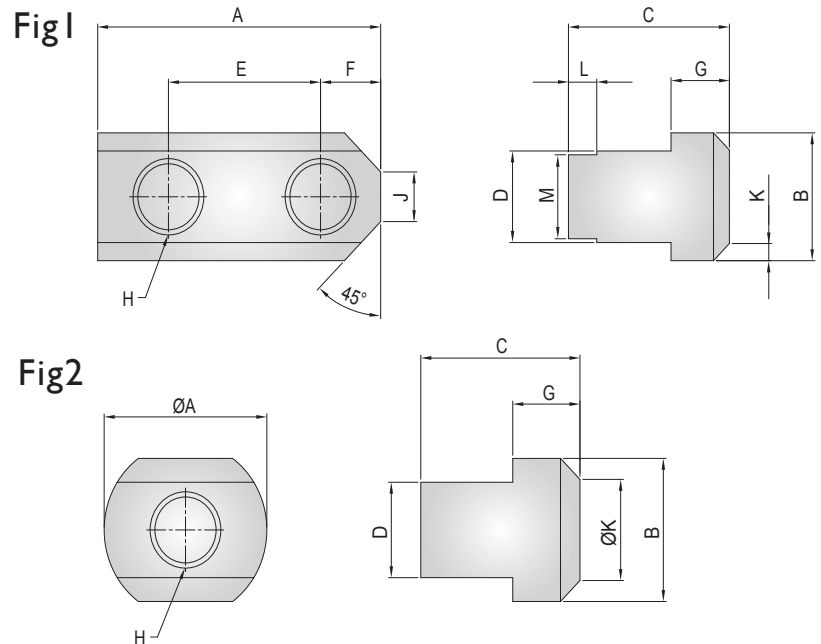


PK series

T-NUTS



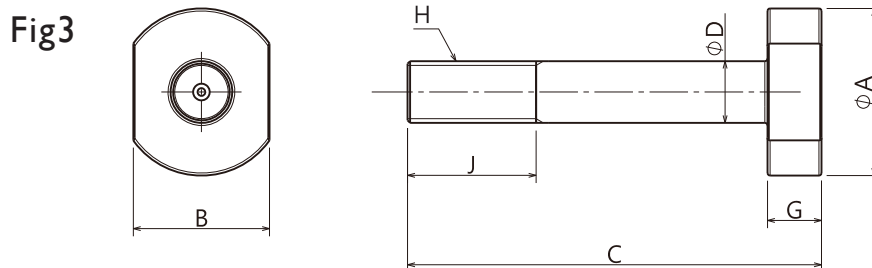
DIMENSIONS

Model	A	B	C	D	E	F	G	H	J	K	L	M	Reference Drawing
PK2-15	80	33.5	45.5	24	43	17	16.5	M20	11	5	8	22	Fig1
PK3-15	42	35	39.2	25.5	-	-	19	M20	-	25	-	-	Fig2
PK3-24	46	37.5	45	25	-	-	19	M20	-	26.5	-	-	Fig2

• If the dimension and specification change, please take the confirmation drawing as a standard.

PK5 series

T-SCREWS



DIMENSIONS

Model	A	B	C	D	E	F	G	H	J	K	L	M	Reference Drawing
PK5-M20127	51.5	36.5	141	21.6	-	-	14	M20	50	-	-	-	Fig3
PK5-M24140-2	65	53	161	24	-	-	21	M24	50	-	-	-	Fig3

• If the dimension and specification change, please take the confirmation drawing as a standard.