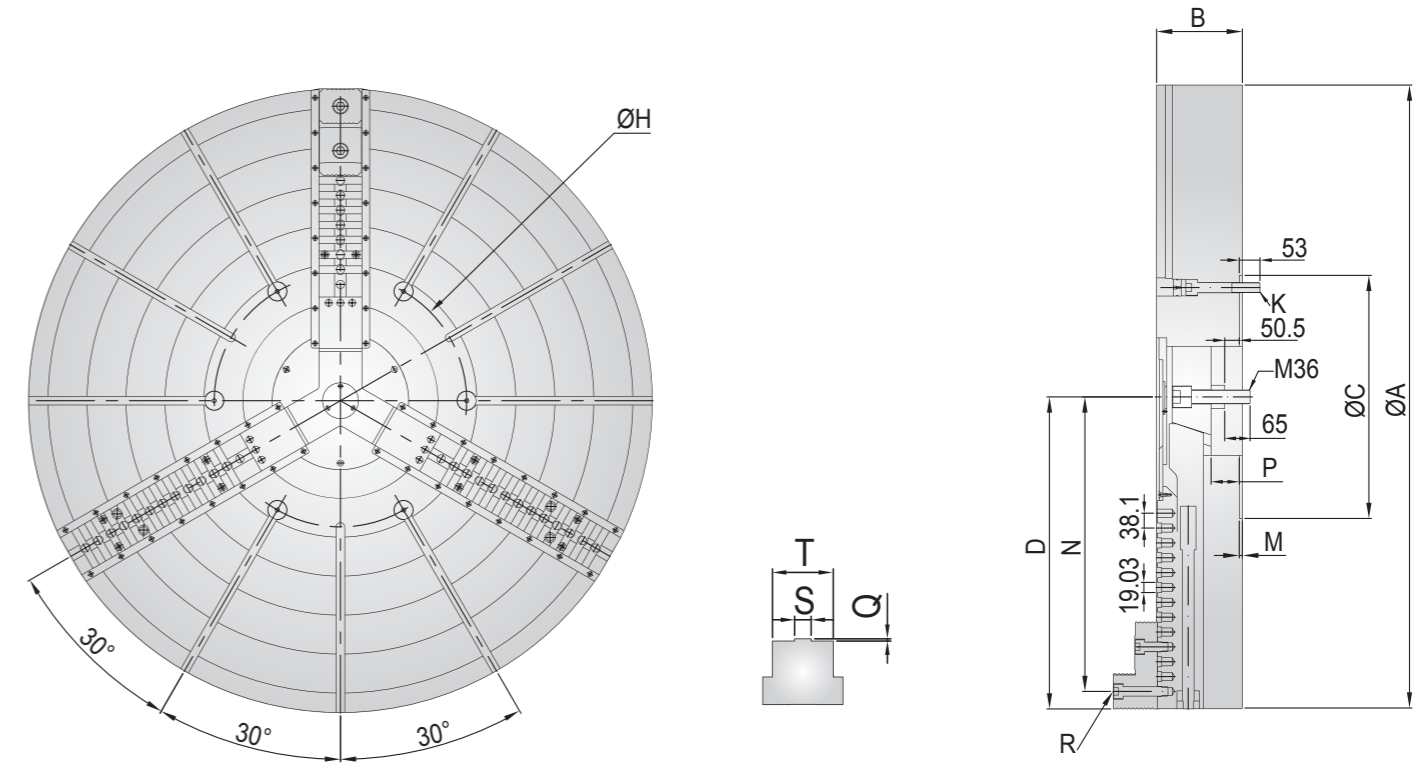


# A series

## CLOSED CENTER HIGH PRECISION POWER CHUCKS (MANUAL SETTING)



- The jaw can be individually operated, and irregularly shaped workpieces can be clamped.
- Install side strips and chips cover sealed base jaw to prevent chips and coolant ingress.



### SPECIFICATION

Model	Number Of Jaws	Plunger Stroke (mm)	Jaw Stroke [manual setting] (mm)	Max. Push Force (kgf)	Max. Gripping Force (kgf)	Max. Hydr. Pressure (kgf/cm <sup>2</sup> )	Max. Speed (r.p.m.)	Weight (kg)	Moment Of Inertia (kgf.m <sup>2</sup> )	Cylinders	Hard Top Jaws	Soft Top Jaws
A340Z520	3	57	18.5	18354	32600	42.75	630	650	83	TC25060	PD2-40-1	PE2-40
AP340Z520	3	57	18.5+(30)	18354	32600	42.75	630	650	83	TC25060	PD2-40-1	PE2-40
A440Z520	4	57	18.5	18354	32600	42.75	570	705	90	TC25060	PD2-40-1	PE2-40
AP440Z520	4	57	18.5+(30)	18354	32600	42.75	570	705	90	TC25060	PD2-40-1	PE2-40
A640Z520	6	57	18.5	18354	32600	42.75	450	815	97	TC25060	PD2-40-1	PE2-40
AP640Z520	6	57	18.5+(30)	18354	32600	42.75	450	815	97	TC25060	PD2-40-1	PE2-40
A350Z520	3	57	18.5	18354	32600	42.75	500	895	169	TC25060	PD2-50-1	PE2-40
AP350Z520	3	57	18.5+(30)	18354	32600	42.75	500	895	169	TC25060	PD2-50-1	PE2-40
A450Z520	4	57	18.5	18354	32600	42.75	450	945	178	TC25060	PD2-50-1	PE2-40
AP450Z520	4	57	18.5+(30)	18354	32600	42.75	450	945	178	TC25060	PD2-50-1	PE2-40
A650Z520	6	57	18.5	18354	32600	42.75	360	1045	187	TC25060	PD2-50-1	PE2-40
AP650Z520	6	57	18.5+(30)	18354	32600	42.75	360	1045	187	TC25060	PD2-50-1	PE2-40
A363Z720	3	60	19.5	20394	36700	46.85	400	1710	519	TC25060	PD2-63	PE2-63
AP363Z720	3	60	19.5+(40)	20394	36700	46.85	400	1710	519	TC25060	PD2-63	PE2-63
A463Z720	4	60	19.5	20394	36700	46.85	360	1810	549	TC25060	PD2-63	PE2-63
AP463Z720	4	60	19.5+(40)	20394	36700	46.85	360	1810	549	TC25060	PD2-63	PE2-63
A663Z720	6	60	19.5	20394	36700	46.85	280	2010	579	TC25060	PD2-63	PE2-63
AP663Z720	6	60	19.5+(40)	20394	36700	46.85	280	2010	579	TC25060	PD2-63	PE2-63
AP479Z720	4	60	19.5+(40)	20394	36700	46.85	300	3300	1250	TC25060	PD2-79	PE2-79
AP679Z720	6	60	19.5+(40)	20394	36700	46.85	230	3720	1295	TC25060	PD2-79	PE2-79
AP498Z720	4	60	19.5+(40)	20394	36700	46.85	220	5060	2002	TC25060	PD2-98	PE2-98
AP698Z720	6	60	19.5+(40)	20394	36700	46.85	180	5200	2058	TC25060	PD2-98	PE2-98

• If the dimension and specification change, please take the confirmation drawing as a standard.

### DIMENSIONS

Model	A	B	C (H6)	D	H	K	M	N (max)	P (max)	P (min)	Q	R	S	T
A340Z520	1000	180	520	496	463.6	M24	8	478	62	5	4	M24	30	85
AP340Z520	1000	180	520	496	463.6	M24	8	478	62	5	4	M24	30	85
A440Z520	1000	180	520	496	463.6	M24	8	478	62	5	4	M24	30	85
AP440Z520	1000	180	520	496	463.6	M24	8	478	62	5	4	M24	30	85
A640Z520	1000	180	520	496	463.6	M24	8	478	62	5	4	M24	30	85
AP640Z520	1000	180	520	496	463.6	M24	8	478	62	5	4	M24	30	85
A350Z520	1250	180	520	623	463.6	M24	8	578.5	62	5	4	M24	30	85
AP350Z520	1250	180	520	623	463.6	M24	8	578.5	62	5	4	M24	30	85
A450Z520	1250	180	520	623	463.6	M24	8	578.5	62	5	4	M24	30	85
AP450Z520	1250	180	520	623	463.6	M24	8	578.5	62	5	4	M24	30	85
A650Z520	1250	180	520	623	463.6	M24	8	578.5	62	5	4	M24	30	85
AP650Z520	1250	180	520	623	463.6	M24	8	578.5	62	5	4	M24	30	85
A363Z720	1600	210	720	795	647.6	M30(M24)	8	755	85	23	4	M24	30	110
AP363Z720	1600	210	720	795	647.6	M30(M24)	8	755	85	23	4	M24	30	110
A463Z720	1600	210	720	795	647.6	M30(M24)	8	755	85	23	4	M24	30	110
AP463Z720	1600	210	720	795	647.6	M30(M24)	8	755	85	23	4	M24	30	110
A663Z720	1600	210	720	795	647.6	M30(M24)	8	755	85	23	4	M24	30	110
AP663Z720	1600	210	720	795	647.6	M30(M24)	8	755	85	23	4	M24	30	110
AP479Z720	2000	240	720	995	647.6	M30	8	965	95.5	21.5	4	M24	30	110
AP679Z720	2000	240	720	995	647.6	M30	8	965	95.5	21.5	4	M24	30	110
AP498Z720	2500	250	720	1245	647.6	M30	8	1195	105.5	31.5	4	M24	30	110
AP698Z720	2500	250	720	1245	647.6	M30	8	1195	105.5	31.5	4	M24	30	110

• If the dimension and specification change, please take the confirmation drawing as a standard.